

CYB 舱室进水报警装置 Cabin water ingress alarm device

概述

Overview

CYB型舱室进水报警装置由进水报警器和二线制接近式液位传感器组成，用于监视船舶舱室液位。当被监视舱室进水液位达到传感器感知范围时，发出声光报警信号，告知船员危险情况。该装置具有传感器断线故障报警、自检、消音及调光等功能。

CYB cabin water ingress alarm device consists of water ingress alarm and two-wire proximity liquid level sensor, and is used for monitoring of water or fluid into the cabin. It emits sound and light alarm signal when there is water into the monitored cabin and the level reach the sensor scale, to tell the crew risks. The device has sensor disconnection fault alarm, self-test, silence, dimmer and other functions.

产品特点

Product features

- 控制面板采用LED指示、按键操作，外形美观，指示清晰，便于操作与维护；
The control panel is provided with LED display and key operation, with nice appearance, clear indication, and easy to operate and maintain;
- 采用先进的二线制接近式液位传感器，与浮球液位传感器相比，不会因介质存在油污或垃圾而产生卡死现象；
Using advanced two-wire proximity liquid level sensor which will not be jammed because of dirt or garbage in the medium compared with ball float liquid level sensor;
- 具有传感器断线报警功能，提高装置的可靠性；
With sensor disconnection alarm function, to improve the reliability of the device;
- 具有RS485通讯接口，通过该接口将报警信息发送给VDR。满足海上导航和通信系统的标准串行接口协议IEC61162的要求。
With RS485 communication interface, send alarm information to VDR through the interface. Meeting the requirement of IEC61162 maritime navigation and communication systems standard serial interface protocol.

产品组成

Product composition

- 舱室进水报警器
Cabin water ingress alarm
- 接近式液位传感器
Proximity liquid level sensor



技术指标

Technical index

- 工作电压：DC24V±20%
AC220V±10%
Working voltage: DC24V ±20%
AC220V ±10%
- 安装方式：舱室进水报警器可分为嵌入式和挂壁式
Installation: cabin water ingress alarm includes embedded and wall-mounted type
- 产品标准尺寸见下表：
Standard sizes that can be selected are shown in the following table:
- 防护等级：舱室进水报警器 IP23
液位传感器 IP67
Protection grade: Cabin water ingress alarm IP23
Liquid level sensor IP67
- 延伸报警接口：无源常开或常闭 触点容量 (AC220V/2A)
Extended alarm interface: capacity of passive normally open or normally closed contact is AC220V/2A

设备名称 Equipment name	外形尺寸mm Outline dimensions (mm)			安装尺寸mm Installation dimensions (mm)		备注 Remarks
	宽 W	高 H	深 D	宽 W	高 H	
舱室进水报警器 Cabin water ingress alarm	192	192	50	167	167	Fig.1
	300	250	140	320	210	Fig. 2
液位传感器 Liquid level sensor	110	80	50	/	/	Fig. 3

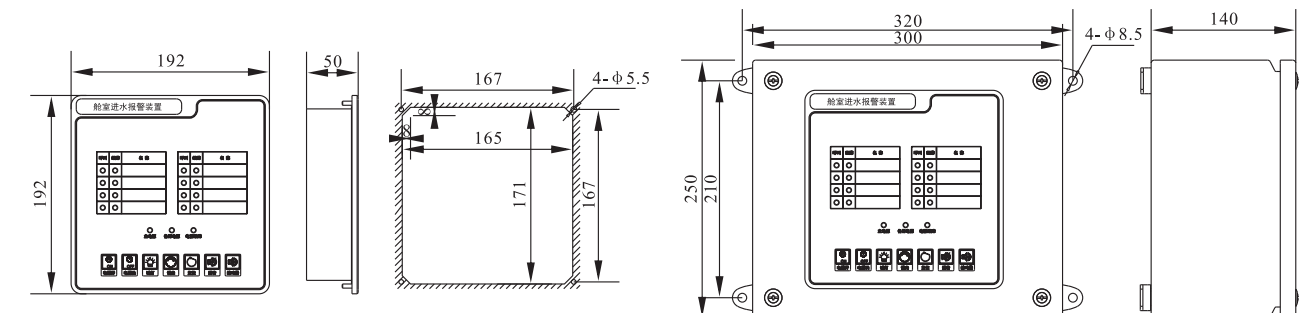


Fig.1

Fig.2

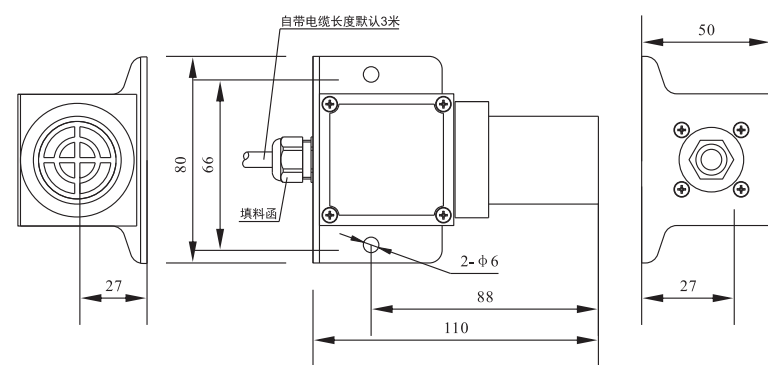


Fig.3

型号命名

Model naming

舱室进水报警器 Cabin water ingress alarm device	CYB	-□	/□	□
报警点数 8, 12, 16, 24 Number of alarm points 8, 12, 16, 24				
主供电电源 M2:AC220V BD: DC24V Main power supply M2:AC220V BD: DC24V				
报警器安装形式 Q: 嵌入式, B: 壁挂式 Installation: Q: embedded, B: wall-mounted				

选型说明

Selection description

例: CYB-8/BDB

表示舱室进水报警器有8路报警点, 舱室进水报警器由DC24V供电, 安装方式为壁挂式。

For example: CYB-8/BDB

The cabin water ingress alarm device is provided with 8-way alarm points, DC24V power supplied and wall-mounted.