

## AJ 岸电箱 Shore power box



### 概述

#### Overview

AJ型岸电箱是船舶停泊码头时，岸电向船舶输送电力的配电设备。适用于额定电压AC220V/AC380V/AC440V，频率50/60Hz的三相或单相交流配电系统。设备具有相序指示、相序转换以及欠压、过载、短路保护功能。

产品满足国内外船级社规范、船舶行业标准及国家标准。

AJ shore power box is a power distribution equipment for power transmission to the ship when the ship berthes at a wharf, and is applied in the three-phase or single-phase AC power distribution system with AC220V/AC380V/AC440V rated voltage and 50/60Hz frequency, with under voltage, overload and short circuit protection and phase sequence indication, phase-sequence changeover functions.

The product meets the requirements of specifications of domestic and foreign ship classifications, shipbuilding industry standard and national standard.

### 产品特点

#### Product features

- 选用公司标准SM箱体，外形美观；  
Adopting the company's standard SM type box, with nice appearance;
- 箱体经过橘纹亚光喷塑，具有良好的耐腐蚀性，经久耐用；  
The surface of the box is sprayed with orange line matte plastics, with good corrosion resistance and durability;
- 箱门采用双层密封条，防水效果好；  
The box door is provided with double sealing strip, so as to make the waterproof requirements more effectively;
- 具有自动、应急手动相序转换功能；  
With automatic or emergency manual phase-sequence changeover function;
- 箱内附有插图框，并贴有醒目的操作说明标识；  
A diagram box is attached inside the box, also accompanied with eye-catching operation instructions;
- 箱门上带有自锁式门撑，方便使用及维护；  
The box door is equipped with self-locking door support, easy for using and maintenance;
- 进线可选配填料函、穿线管、铰链密封盖或水密插座，输出电缆标配填料函。  
Input cable entry is provided with cable glands, threading pipes hinge seal cover or watertight socket optionally, and output cable entry is provided with standard cable glands.

## 产品组成

### Product composition

岸电箱由断路器，相序继电器，中间继电器，熔断器，指示灯，仪表等组成。

The shore power box mainly consists of circuit breaker, phase sequence relay, intermediate relay, fuse, indicator light and meter.

## 技术指标

### Technical index

■ 额定工作电压：AC220V/AC380V/AC440V 50/60Hz

Working voltage: AC220V/AC380V/AC440V 50 /60Hz

■ 额定电流：100A/160A/250A/400A/630A

Rated current: 100A/160A/250A/400A/630A

■ 防护等级：IP44/ IP56

Protection grade: IP44/ IP56

■ 产品标准尺寸见下表：

Standard sizes that can be selected are shown in the following table

岸电箱（不配插座）尺寸  
Size of shore power box (no socket)

额定电流 Rated current (A)	外形尺寸 (mm) Outline dimensions (mm)			安装尺寸 (mm) Installation dimensions(mm)		备注 Remark
	宽(A) W	高(B) H	深(C) D	宽(D) W	高(E) H	
100A,160A,250A	500	700	350	340	740	Fig. 1
400A	600	900	400	440	940	
630A	700	900	400	540	940	

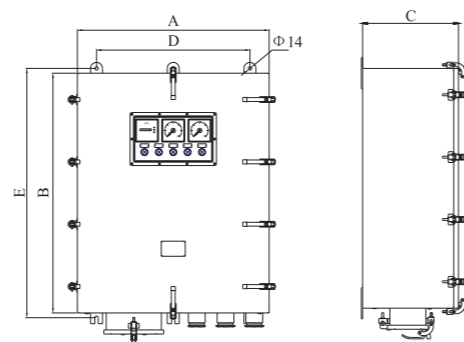
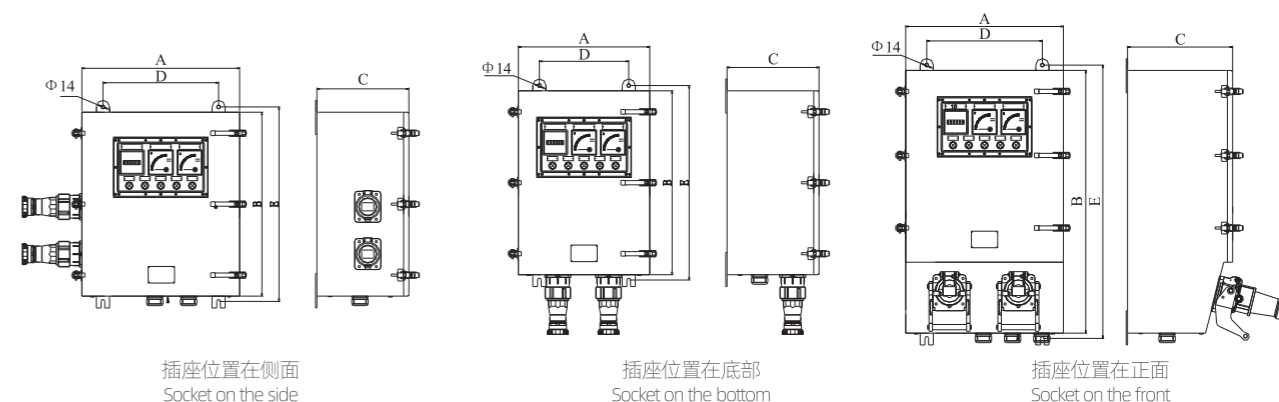


Fig. 1

岸电箱（配插座）尺寸  
Size of shore power box (socket)

额定电流 Rated current (A)	插座数量 Quantity of socket	插座位置 Socket location	外形尺寸 (mm) Outline dimensions (mm)			安装尺寸 (mm) Installation dimensions(mm)	
			宽(A) W	高(B) H	深(C) D	宽(D) W	高(E) H
100A (125A)	1	底部或侧面 Bottom or side	500	700	350	340	740
160A、250A	1	正面或侧面 Front or side	500	800	350	340	840
160A、250A	2	底部或侧面 Bottom or side	600	700	350	440	740
400A	2	正面或侧面 Front or side	600	1000	400	440	1040
630A	2	正面 Front	800	1200	400	640	1240
630A	2	侧面 Side	900	900	400	740	940
630A	3	正面或侧面 Front or side	800	1000	400	640	1040



插座位置在侧面  
Socket on the side

插座位置在底部  
Socket on the bottom

插座位置在正面  
Socket on the front

## 型号命名

### Model naming

岸电箱 Shore power box	AJ	<input type="checkbox"/>	<input type="checkbox"/>	-	<input type="checkbox"/>	<input type="checkbox"/>	-	<input type="checkbox"/>
进线形式 无：不配插座 C:配插座 Input type NA: no socket C: socket								
额定电流(A) 100; 160; 250; 400; 630 Rated current (A) 100; 160; 250; 400; 630								
额定电压 M2:220V; Q3:380V; R3:440V Rated voltage M2:220V; Q3:380V; R3:440V								
相序转换 S:手动; Z:自动 Phase-sequence changeover S: manual; Z:automatic								
箱体材料 B:不锈钢; G:冷轧钢板 Box material B: stainless steel; G: cold rolled steel sheet								
选配功能 T1:电度表; T2:电压/电流表; T3:包括T1, T2 Optional function T1: watt-hour meter; T2: voltmeter/ammeter; T3: including T1 and T2								

## 选型说明

### Selection description

例：AJ100-Q3ZB-T3

表示岸电输入为三相AC380V/50Hz，额定输出电流100A，有自动相序转换功能，箱体材料采用不锈钢，带电度表、电压表和电流表。

For example: AJ100-Q3ZB-T3

Shore power input is three-phase AC380V,50Hz, rated output current 100A, with automatic phase-sequence changeover function, and the box is made of stainless steel, with watt-hour meter, voltmeter and ammeter.

