

YA1 遥控按钮盒 Remote control button box

概述

Overview

YA1型遥控按钮盒用于船舶电气设备远距离控制。外壳采用防锈铝或不锈钢材料，安装脚采用不锈钢材料，结构紧凑，小巧坚固，形式多样。

YA1 remote control button box is used for remote control of ship electrical equipment. Its shell is made of anti-rust aluminum or stainless steel, and the mounting pins are made of stainless steel, with a small compact and solid structure, diversified forms.

产品特点

Product features

- 盒盖内嵌密封橡胶条，与盒体之间采用不锈钢松不脱螺钉固定；
The embedded rubber sealing strip in the box cover is fixed with the box body by the stainless steel screws that cannot take off;
- 按钮、指示灯可选用分体式，盒盖和盒体可以完全分离，方便接线；
Buttons and indicator lights are split, and the box cover and box body can be completely separated for easy wiring;
- 防锈铝材料表面采用硬质氧化后喷塑工艺，耐腐蚀性更强。
The surface of anti-rust aluminum takes the method of sealing spraying after rigid oxidation, with stronger corrosion resistance.

产品组成

Product composition

遥控按钮盒主要由外壳、指示灯、按钮等组成
Remote control button box mainly consists of shell, indicator lights and buttons, and so on

型号命名

Model naming

遥控按钮盒 Remote control button box	YA1	-□	□	/□	□
按钮数量: 1;2;3; Number of buttons: 1; 2; 3;					
按钮触头数: 1:1常开和1常闭 2:2常开或2常闭 Number of button contacts: 1:1 NO, 1 NC 2:2 NO or 2 NC					
指示灯数量: 1;2;3; Number of indicator: 1; 2; 3;					
指示灯电压: 1:24V; 2:230V Voltage of indicator: 1: 24V ; 2: 230V					



技术指标

Technical index

- 额定电压: 单相AC230V, 50/60Hz或DC24V
Rated voltage: Single phase AC230V, 50/60Hz or DC24V
- 触点额定容量: ≤6A
Contact rated capacity: ≤6A
- 触点机械寿命: 30万次以上
Contact mechanical life: more than 300,000 times
- 触点电气寿命: 10万次以上
Contact electrical life: more than 100,000 times
- 防护等级: IP44、IP56
Protection grade: IP44, IP56

Standard sizes that can be selected are shown in the following table:

型号 Model	外形尺寸mm Outline dimensions (mm)			安装尺寸mm Installation dimensions (mm)		备注 Remarks
	宽W	高H	深D	宽W	高H	
YA1-21/12	80	160	60	100	118	IP44, FIG.1
YA1-21	80	160	60	100	118	IP44, FIG.1
YA1-11	80	80	60	100	54	IP44, FIG.2

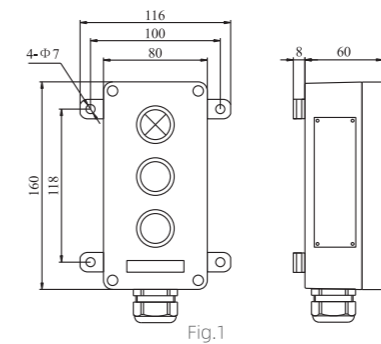


Fig.1

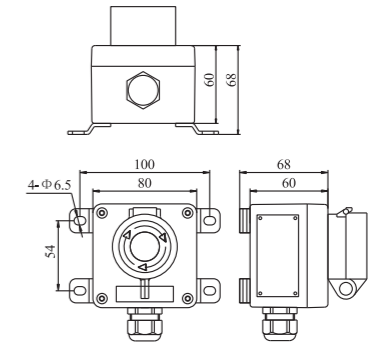


Fig.2

型号 Model	外形尺寸mm Outline dimensions (mm)			安装尺寸mm Installation dimensions (mm)		备注 Remarks
	宽W	高H	深D	宽W	高H	
YA1-21/12	100	180	80	120	140	IP56, FIG.3
YA1-21	100	180	80	120	140	IP56, FIG.3
YA1-11	100	100	90	120	60	IP56, FIG.4

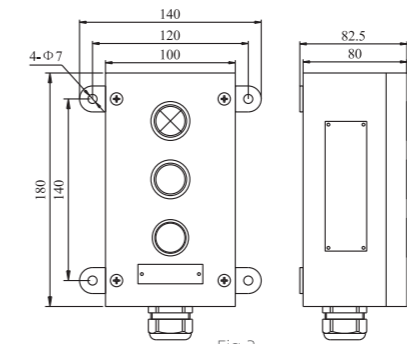


Fig.3

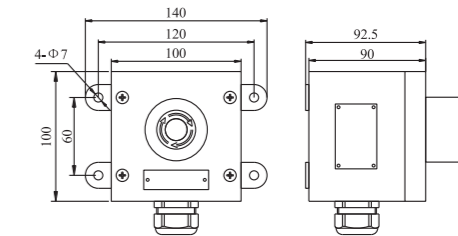


Fig.4